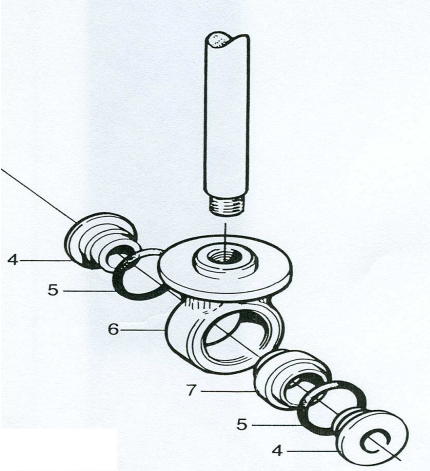
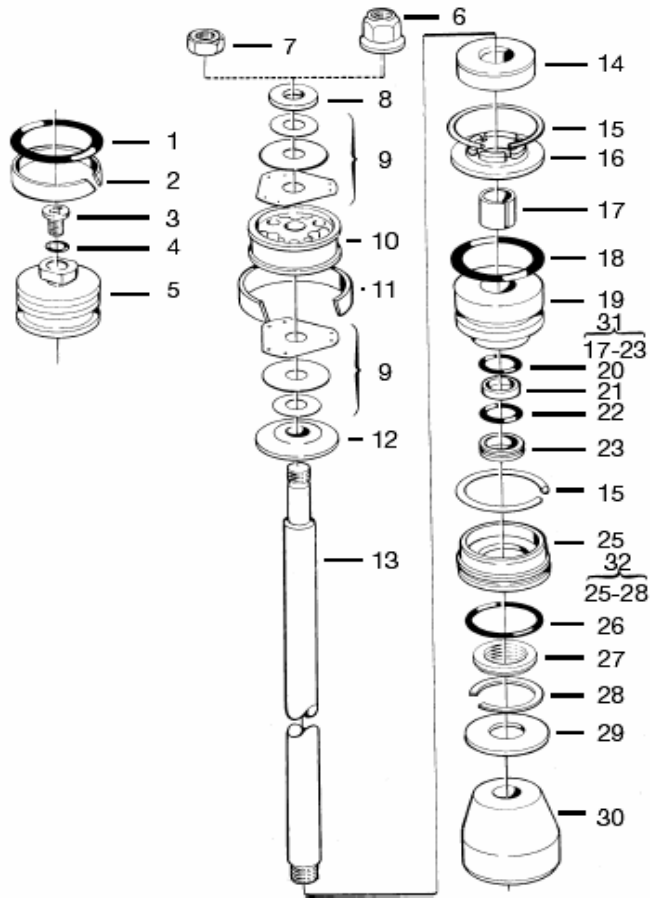


Fig. 01



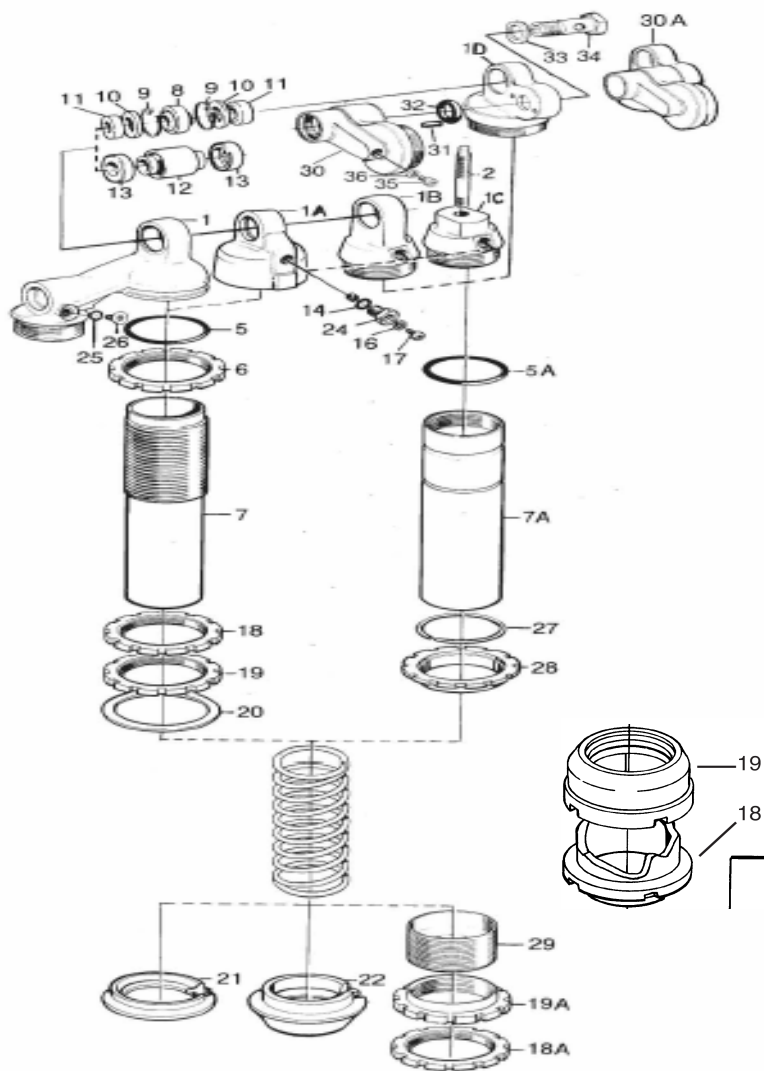
<i>End eye</i>	S36E	HONDA	HO 153E
<i>Fig no.</i>	<i>Part no.</i>	<i>Description</i>	<i>Qty</i>
01-06	00126-05	End bracket	1

Fig.02



Shaft	S36E	HONDA	HO 153E
Fig. no	Part no	Description	Qty
02-06	00139-02	Lock nut	1
02-08	00120-01	Washer	2
02-08	00120-05	Washer	1
02-09		Shim stack see spec card	
02-10	00104-11	Piston	1
02-11	03078-01	Piston ring	1
02-12	00119-07	Stop washer	1
02-13	00102-03	Shaft	1
02-15	00128-01	Circlip	2
02-16	00133-01	Stop rubber	1
02-17	00110-03	Bushing	1
02-18	00338-09	O-ring	1
02-20	00338-08	O-ring	1
02-21	00117-01	Seal	1
02-22	00338-10	O-ring	1
02-23	00122-01	Scraper	1
	00338-05	O-ring for scraper	1
02-30	00163-15	Bump rubber	1
02-31	00121-01	Seal head assy	1
02-32	00165-02	End cap	1

Fig. 03



<i>Body tube</i>	S36E	HONDA	HO 153E
<i>Fig no.</i>	<i>Part no.</i>	<i>Description</i>	<i>Qty</i>
03-00	00191-03	Sticker Ohlins	1
03-00	00196-01	Sticker Varning	1
03-01	00201-11	Cylinder head	1
03-05	00338-02	O-ring	1
03-07	00300-08	Cylinder tube	1
03-12	00424-01	Rubber bushing	1
03-13	00423-01	Sleeve	1
03-14	00583-01	O-ring	1
03-16	00338-59	O-ring	1
03-17	01050-01	Screw	1
03-18	00416-01	Cam adjuster	1
03-19	00415-01	Adjustment ring	1
03-21	00116-01	Spring clip	1
03-24	00603-01	Valve assy	1
03-27	00131-01	Ciclip	1
	00417-02	Protector cylinder tube	1
	00480-03	Main spring	1