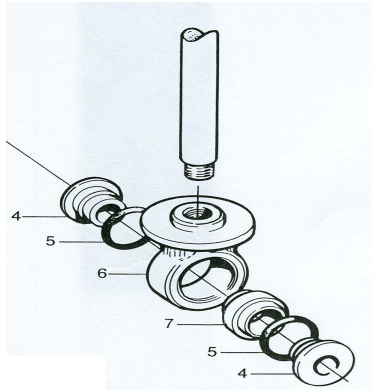
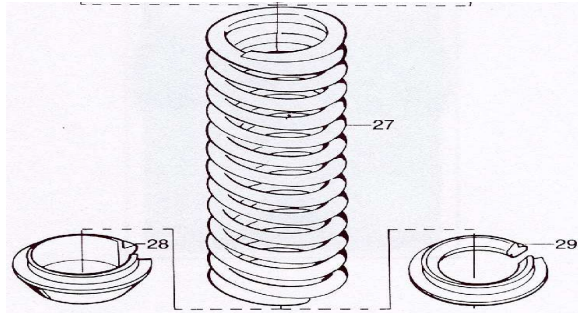
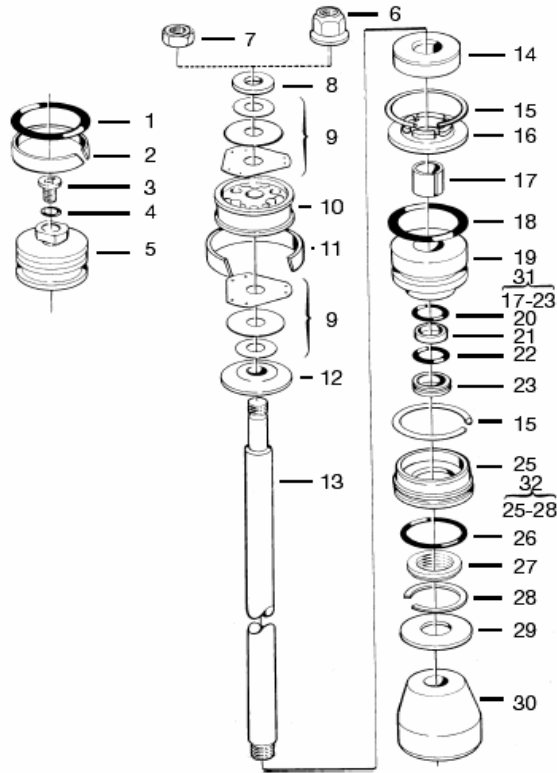


Fig. 01



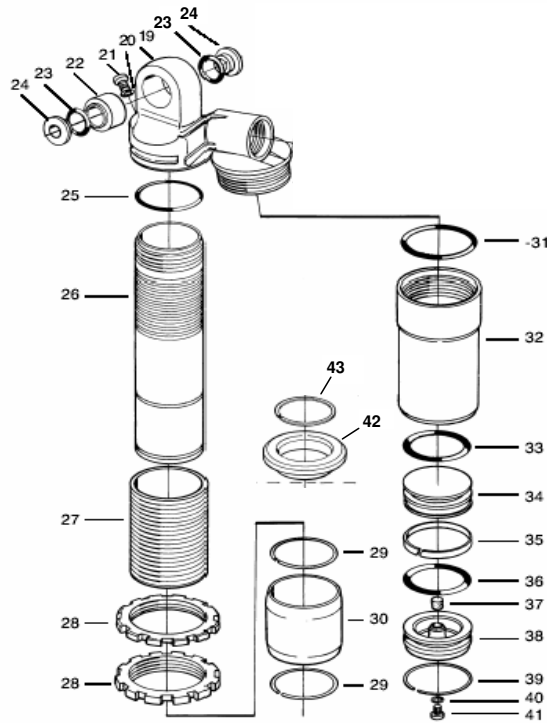
	S36P	HONDA	HO 153
Fig no.	Part no.	Description	
End eye			Qty
01-06	00126-05	End bracket	1
01-27	00480-23	Spring	1
01-29	00116-04	Spring clip	1

Fig.02



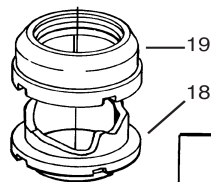
	S36P	HONDA	HO 153
Fig. no	Part no	Description	Qty
Shaft			
02-06	00139-02	Lock nut	1
02-08	00120-01	Washer	1
02-08	00120-05	Washer	1
02-09		Shim stack see spec card	
02-10	00104-11	Piston	1
02-11	03078-01	Piston ring	1
02-12	00119-07	Stop washer	1
02-13	00102-04	Shaft	1
02-14	03144-02	Spacer	2
02-14	03144-03	Spacer	3
02-15	00128-01	Circlip	2
02-16	00133-01	Stop rubber	1
02-17	00110-03	Bushing	1
02-18	00338-09	O-ring	1
02-20	00338-08	O-ring	1
02-21	00117-01	Seal	1
02-22	00338-10	O-ring	1
02-23	00122-01	Scraper	1
	00338-05	O-ring for scraper	1
02-30	00163-10	Bump rubber	1
02-31	00121-01	Seal head assy	1
02-32	00165-02	End cap	1

Fig. 03



	S36P	HONDA	HO 153
Fig no.	Part no.	Description	
Body tube			Qty
03-00	00191-01	Sticker "ÖHLINS" blue/transp	1
03-00	00196-01	Sticker "Warning"black/transp	1
03-19	00303-01	Cylinder head	1
03-20	00438-33	O-ring	1
03-21	00382-07	Screw	1
03-22	00424-01	Rubber bushing	1
03-24	00423-01	Sleeve	1
03-25	00338-02	O-ring	1
03-26	00300-08	Cylinder tube	1
03-29	00428-01	Circlip	2
03-30	00417-01	Support sleeve	1
03-31	00338-24	O-ring	1
03-32	00302-02	Reservoir	1
03-33	00338-04	O-ring	1
03-34	00305-01	Reservoir piston	1
03-35	00340-01	Teflon band	1
03-36	00338-04	O-ring	1
03-38	00161-03	Reservoir top assy	1
03-39	00329-01	Circlip	1
03-40	00338-59	O-ring	1
03-41	01050-01	Screw	1
03-43	00131-01	Circlip	1

Fig.04



	S36P	HONDA	HO 153
Fig no.	Part no.	Description	
04-18	00416-04	Cam adjuster	1
04-19	00415-04	Adjustment ring	1